

I-V Characterization of Photovoltaic Cells and Panels Using the Keithley Model 2450 or Model 2460 SourceMeter® SMU Instrument

Introduction

Solar or photovoltaic (PV) cells are devices that absorb photons from a light source and then release electrons, causing an electric current to flow when the cell is connected to a load. Solar panels are just a collection of solar cells connected in series and parallel that provide more power than just a single, smaller cell. Researchers and manufacturers of PV cells and panels strive to achieve the highest possible efficiency with minimal losses. As a result, electrical characterization of the cell as well as PV materials is performed as part of research and development and during the manufacturing process. The current-voltage (I-V) characterization of the cell is performed to derive important parameters about the cell's performance, including its maximum current (I_{max}) and voltage (V_{max}), open circuit voltage (V_{oc}), short circuit current (I_{sc}), and its efficiency (η).

These I-V characteristics can easily be generated using a Keithley Model 2450 or Model 2460 SourceMeter SMU Instrument, which can source and measure both current and voltage. Because both SourceMeter instruments have four-quadrant source capability, they can sink the cell current as a function of an applied voltage. **Table 1** shows the power envelope of both the Models 2450 and 2460.

Model	2450	2460
Output*	±210 V @ ±105 mA ±21 V @ ±1.05 A	±100 V @ ±1.05 A ±20 V @ ±4 A ±10 V @ ±5 A ±7 V @ ±7 A

* To sink higher current levels, use Keithley Model 2651A High Power System SourceMeter Instrument, which can sink up to 20A at 10VDC.

Table 1. Power Envelopes of Model 2450 and Model 2460 SourceMeter instruments

This application note explains how to simplify I-V characterization of solar cells and panels by using the Model 2450 or 2460, shown in **Figure 1**. In particular, this application note explains how to perform I-V testing from the front panel of the instrument, including how to generate graphs and save data to a USB drive. It also details how to automate the measurements over a communication bus.

The Solar Cell

The solar cell may be represented by the equivalent circuit model shown in **Figure 2**, which consists of a light-induced current source (I_L), a diode that generates a saturation current [$I_S(e^{qV/kT} - 1)$], series resistance (r_s), and shunt resistance (r_{sh}). The series resistance is due to the resistance of the metal contacts, ohmic losses in the front surface of the cell, impurity

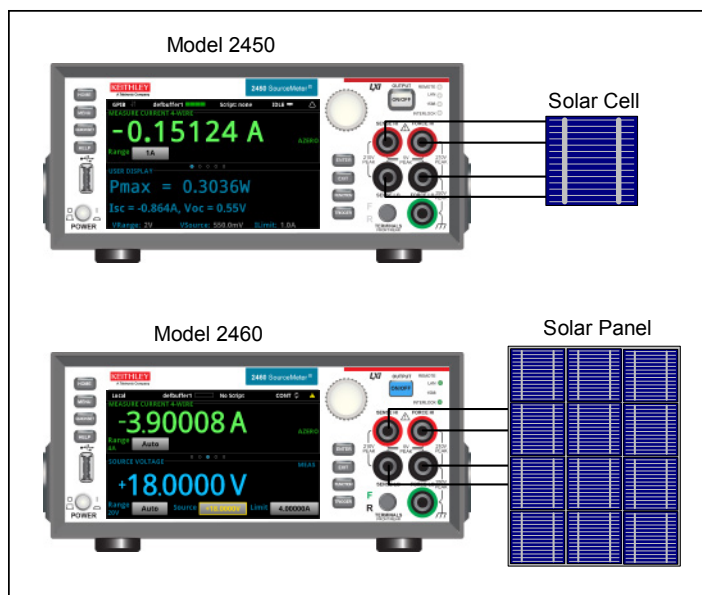


Figure 1. Models 2450 and 2460 making I-V measurements on a solar cell and a solar panel.

concentrations, and junction depth. The series resistance is an important parameter because it reduces both the cell's short-circuit current and its maximum power output. Ideally, the series resistance should be zero ohms. The shunt resistance represents the loss due to surface leakage along the edge of the cell or to crystal defects. Ideally, the shunt resistance should be infinite.

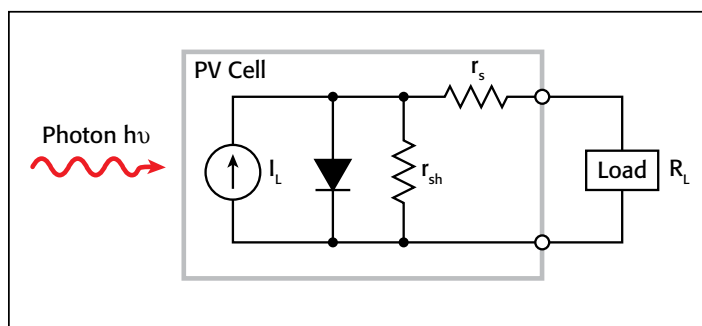


Figure 2. Idealized equivalent circuit of a photovoltaic cell.

If a load resistor (R_L) is connected to an illuminated solar cell, then the total current becomes:

$$I = I_S(e^{qV/kT} - 1) - I_L$$

where: I_S = current due to diode saturation
 I_L = current due to optical generation

Several parameters are used to characterize the efficiency of the solar cell, including the maximum power point (P_{max}),

the short circuit current (I_{sc}), and the open circuit voltage (V_{oc}). These points are illustrated in **Figure 3**, which shows a typical forward bias I-V curve of an illuminated solar cell. The maximum power point (P_{max}) is the product of the maximum cell current (I_{max}) and the voltage (V_{max}) where the power output of the cell is greatest. This point is located at the “knee” of the curve.

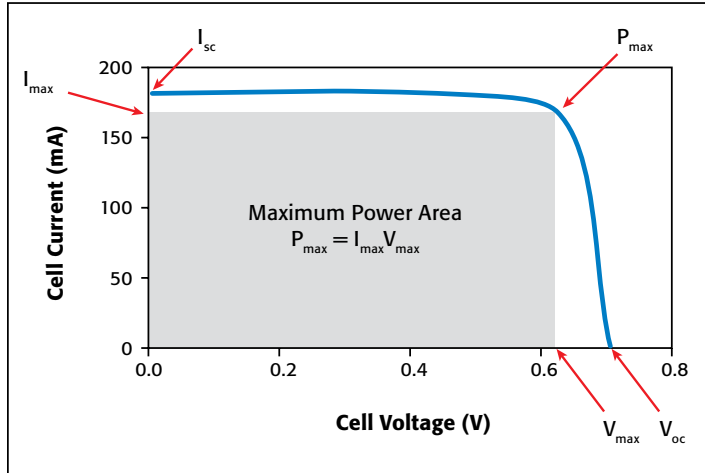


Figure 3. Typical forward bias I-V characteristics of solar cell.

Using the SourceMeter as an Electronic Load

As illustrated in **Figure 4**, when a load is connected to the output of an illuminated solar cell, a current will flow.

When the illuminated PV cell is connected to the output terminals of the Model 2450 or Model 2460, the SourceMeter instrument will sink the current. In other words, the SourceMeter instrument becomes the load. As a result, the measured current is negative.

Making Connections to the Solar Cell or Solar Panel

The solar cell or panel is connected to the Model 2450 or 2460 as shown in **Figure 5**. A four-wire connection is made to eliminate the effects of the lead resistance. When connecting the leads to the solar cell, the Force LO and Sense LO connections are made to the cathode terminal. The Force HI and Sense HI connections are made to the anode. Make the connections as close as possible to the cell to prevent the resistance of the solar cell's terminals from affecting the measurement accuracy.

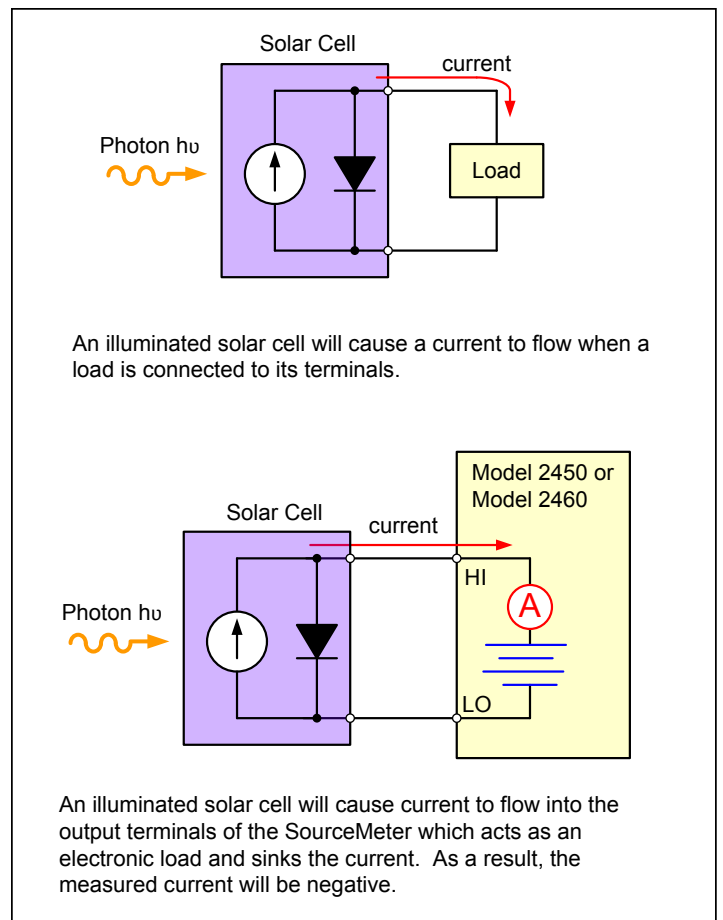


Figure 4. A SourceMeter instrument acts as an electronic load when connected to an illuminated PV cell.

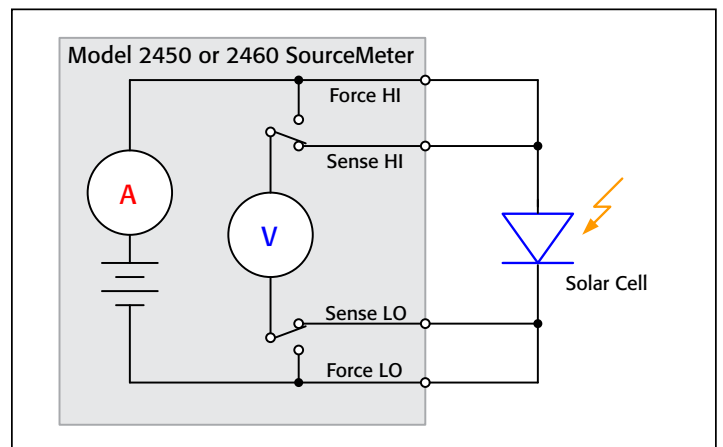


Figure 5. Connections from the SourceMeter instrument to the solar cell or panel.

Generating, Plotting, and Saving I-V Sweeps Using the User Interface in Three Easy Steps

The I-V sweep of a PV cell or panel can be accomplished from either the front panel or over the bus. Just a few key strokes are needed to generate, graph, and save the data to a USB drive. Here are the three easy steps to generate and graph a voltage sweep and then save the data to a USB drive.

Step 1. Creating and Executing an I-V Sweep

Description	Key Strokes
Reset instrument to default state	Menu key → Manage System → Reset
Set to source V and measure I	Home key → Function key → Source V Measure I
Set to four-wire sense	Menu key → Measure Settings → Sense Mode → 4-Wire Sense
Configure sweep parameters	Menu key → Source Sweep <ul style="list-style-type: none"> Set desired Start, Stop, and Step V Scroll down and set Source Limit Press Generate to create sweep
Execute I-V sweep	Home key → Trigger key

Step 2. Viewing the Graph

To view the data graphically, press the MENU key and then the Graph button. The graph of the I-V sweep will automatically be displayed. To repeat the graph, just press the TRIGGER key.

Figure 6 shows the I-V curve of an illuminated PV panel generated by the Model 2460.

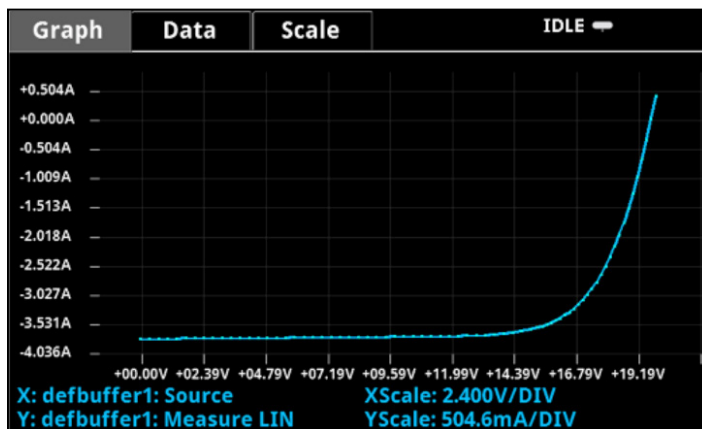


Figure 6. Solar panel I-V sweep generated on the graph screen of the Model 2460.

Step 3. Saving the Data to a USB Drive

To save the I-V data to a USB drive, just insert a USB drive, press the MENU key, select Data Buffers, press the desired buffer, and then SAVE TO USB. Enter the name of the file. The data will be saved in a .csv format so it can later be downloaded to a spreadsheet and analyzed.

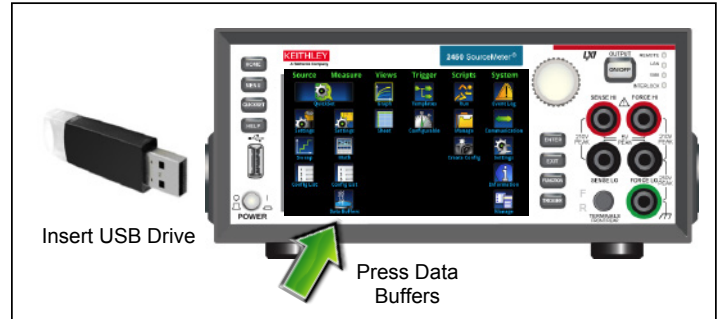


Figure 7. Saving data to a USB drive.

Automating I-V Measurements with Remote Programming

Both the Model 2450 and 2460 can be remotely controlled by using either SCPI or TSP commands with the flexibility of a LAN, USB, or GPIB interface. An example of how to program the Model 2460 to automate I-V characteristics on a PV panel was performed using a polycrystalline silicon solar panel. For this particular test, the Model 2460 was programmed to sweep voltage from 0V to 20V in 115 steps and to measure the resulting current in a four-wire configuration. The TSP code to perform this test is listed in Appendix A and the SCPI code is listed in Appendix B. The results of graphing the I-V characteristics of this cell are shown in *Figure 8*. Notice the test on the solar panel was executed with light (Light ON) and in the dark (Light OFF). As previously discussed, the measured current in the “Light ON” graph is negative because the Model 2460 is sinking current. If desired, the curve can easily be inverted in the spreadsheet.

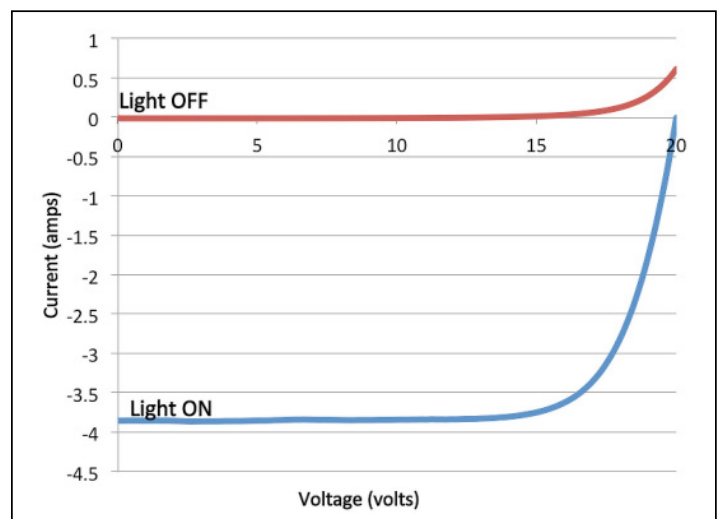


Figure 8. Solar cell I-V sweeps generated by Model 2460.

In addition to automating the I-V measurements over the bus, the Models 2450 and 2460 can display the derived maximum power (P_{max}), short circuit current (I_{sc}), open circuit voltage (V_{oc}), or other user-derived calculations on its user interface. **Figure 9** shows the results of programming the Model 2450 to display the parameters of a solar cell on its large, easy-to-read display.

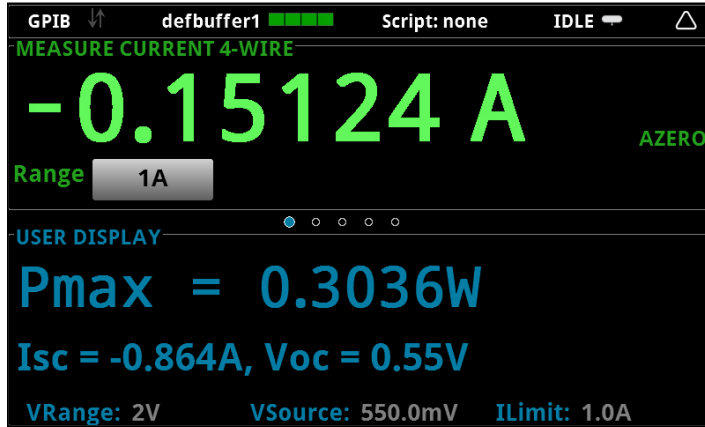


Figure 9. The 2450 display indicates maximum power (P_{max}), short circuit current (I_{sc}), and open circuit voltage (V_{oc}).

Appendix A: Example TSP Code

The following example TSP code is designed to be run from Keithley Instruments' Test Script Builder (TSB) software. TSB is a software tool that can be downloaded from the Keithley website (www.keithley.com) that can be used with both the Model 2450 and 2460. To use other programming environments, you will need to change the example TSP code. In this particular example for the Model 2460, the voltage is swept from 0V to 20V in 115 steps. The current and voltage readings are stored in the default buffer, defbuffer1. The maximum power, short circuit current, and open circuit voltage are determined and displayed on the Model 2460 front panel. To use this code with the Model 2450, you will need to change the current and voltage levels.

The default command set for the Model 2450 and 2460 is set to SCPI. To change the command set to TSP commands, press MENU -> Settings -> Command Set. Select TSP commands.

```

--Define number of points in sweep
num = 115

--Reset the instrument and clear the buffer
reset()

--Set source and measure functions
smu.measure.func = smu.FUNC_DC_CURRENT
smu.source.func = smu.FUNC_DC_VOLTAGE

--Measurement Settings
smu.measure.terminals = smu.TERMINALS_FRONT
smu.measure.sense = smu.SENSE_4WIRE
smu.measure.autorange = smu.ON
smu.measure.nplc = 1

--Source Settings
smu.source.highc = smu.OFF
smu.source.range = 20
smu.source.readback = smu.ON
smu.source.highc = smu.OFF
smu.source.ilimit.level = 4
smu.source.sweeplinear('SolarCell', 0, 20, num, 0.05)

--Start the trigger model and wait for it to complete
trigger.model.initiate()
waitcomplete()

--Define initial values
voltage = defbuffer1.sourcevalues
current = defbuffer1
isc = current[1]
mincurr = current[1]
imax = current[1]
voc = voltage[1]
vmax = voltage[1]
pmax = voltage[1]*current[1]

--Calculate values
for i = 1, num do
    print(voltage[i], current[i], voltage[i]*current[i])
    if (voltage[i]*current[i] < pmax) then
        pmax = voltage[i]*current[i]
        imax = current[i]
        vmax = voltage[i]
    end
    if math.abs(current[i]) < math.abs(mincurr) then
        voc = voltage[i]
    end
end

pmax = math.abs(pmax)
imax = math.abs(imax)

print("Pmax = ", pmax, ", Imax = ", imax, ", Vmax = ", vmax, ", Isc = ", isc, ", Voc = ", voc)

--Display values on 2460 front panel
display.changescreen(display.SCREEN_USER_SWIPE)
display.settext(0, string.format("Pmax = %.4fW", pmax))
display.settext(1, string.format("Isc = %.4fA, Voc = %.2fV", isc, voc))

```

Appendix B: Example SCPI Code

The example sequence of SCPI commands is designed to generate an I-V sweep on a solar cell. You must make the appropriate changes so it will run in your programming environment. In this particular example, the voltage is swept from 0V to 0.55V in 56 steps and the resulting PV cell current is measured. The current and voltage readings are stored in the buffer, defbuffer1.

Sequence of SCPI Commands	Description
*RST	Reset
SENS:FUNC "CURR"	Measure current
SENS:CURR:RANG:AUTO ON	Autorange
SENS:CURR:RSEN ON	4-wire sense mode
SOUR:FUNC VOLT	Source voltage
SOUR:VOLT:RANG 2	2 V source range
SOUR:VOLT:ILIM 1	1 A current limit
SOUR:SWE:VOLT:LIN 0, 0.55, 56, 0.1	Sweep voltage from 0 to 0.55V in 56 steps at 100ms intervals
:INIT	Initiate sweep
*WAI	Wait until sweep is finished
TRAC:DATA? 1, 56, "defbuffer1", SOUR, READ	Read source and measure values from buffer

Specifications are subject to change without notice. All Keithley trademarks and trade names are the property of Keithley Instruments. All other trademarks and trade names are the property of their respective companies.



A Tektronix Company

A Greater Measure of Confidence

KEITHLEY INSTRUMENTS ■ 28775 AURORA RD. ■ CLEVELAND, OH 44139-1891 ■ 440-248-0400 ■ Fax: 440-248-6168 ■ 1-888-KEITHLEY ■ www.keithley.com

BENELUX
+31-40-267-5506
www.keithley.nl

FRANCE
+33-01-69-86-83-60
www.keithley.fr

ITALY
+39-049-762-3950
www.keithley.it

MALAYSIA
60-4-643-9679
www.keithley.com

SINGAPORE
01-800-8255-2835
www.keithley.com.sg

BRAZIL
55-11-4058-0229
www.keithley.com

GERMANY
+49-89-84-93-07-40
www.keithley.de

JAPAN
81-120-441-046
www.keithley.jp

MEXICO
52-55-5424-7907
www.keithley.com

TAIWAN
886-3-572-9077
www.keithley.com.tw

CHINA
86-10-8447-5556
www.keithley.com.cn

INDIA
080-30792600
www.keithley.in

KOREA
82-2-6917-5000
www.keithley.co.kr

RUSSIA
+7-495-664-7564
www.keithley.ru

UNITED KINGDOM
+44-1344-39-2450
www.keithley.co.uk

For further information on how to purchase or to locate a sales partner please visit www.keithley.com/buy